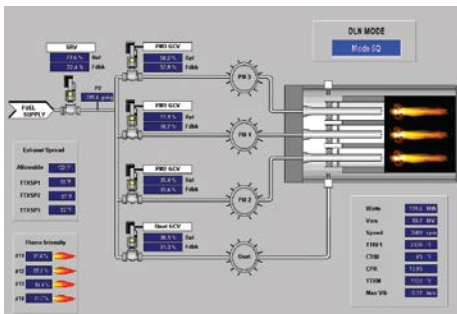
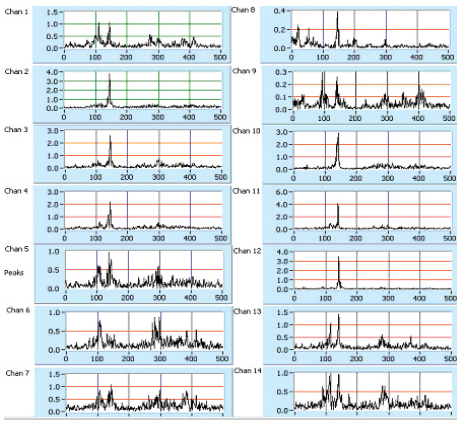


Maximized Performance, Flexibility, Emissions Control and Component Life

DynaFlex Performance™ is TTS' platform that provides operators a wide range of products and services that maximizes gas turbine output and efficiency, optimizes DLN combustor *dynamics* and emissions, and enhances operational *flexibility*.

Before a DynaFlex solution is even proposed, we recommend our engineers carefully review your needs, help you establish goals and then tailor a solution that specifically addresses your unit's operating parameters, plant requirements and business objectives. All of the services described below apply to one or more of the following GT models and combustion systems: 7FA DLN-2.6, 6FA DLN-2, DLN-2.6, 9FA DLN-2+, DLN-2.6+ and 7EA / 6B / 5P DLN-1.



Key Platform Services	Benefits
Maximizing Base Load Output and Efficiency	<ul style="list-style-type: none"> Reduced fuel costs Increases revenue generation No impact on rated parts life
Improve Load Flexibility	<ul style="list-style-type: none"> Increase peak capacity (as much as 2.5% above base load for an F-Class and 5% for e-Class) and efficiency Extend turndown to lower loads (10+% for F-Class)
Fast Start Program Processes	<ul style="list-style-type: none"> Improve plant start-up processes to capture potential new revenue and cost savings Implement upgrades for Purge Credit to save 12-15 minutes in start-up times for combined cycle plants and reduce start-up times to base load to 10 minutes for simple cycle E-Class gas turbines No impact to start-up reliable
DLN-Auto-Tuning for Seasonal and Load Variations	<ul style="list-style-type: none"> Maintain emissions compliance in response to life cycle degradation, ambient variations, and fuel/Wobbe Index fluctuation Reduce Lean blow out (LBO trips) Reduce dynamics, extend parts life Enhanced response timing to changing conditions/demands

DynaFlex Performance Offerings

Operational Flexibility & Performance Services

- Fast Start Program (Any Turbine Model)
- Base Load Performance Optimization
- Load Turndown Optimization
- Peak Fire Operation
- Adjustable Peak Firing
- Cold Weather Optimization

DLN Products & Services

- Auto-Tuning
- Operational Troubleshooting
- DLN - Tuning, Post-outage or Seasonal (On-site or Remote)

- Fogging/Wet System Optimization
- Control Curve Evaluation and Design
- Plant Performance Assessment and Evaluation
- Plant Performance Testing and Consulting
- Life Cycle AGP Upgrade Evaluation 7F .03 to 7F
- Correction Curve Development

- CDMS (Portable or Permanent)
- DLN Training

DYNAFLEX PERFORMANCE SERVICES